

ANY TERRITORIAL AUTHORITY WITHIN NEW ZEALAND

LIFESTYLE CABINS: MEADOW CABIN

DRAWING LIST		
SHEET	SHEET TITLE	REV
S0-0	COVER SHEET	1
S1	SUBFLOOR PLAN	1
SD1	ANCHOR PILE & ORDINARY PILE DETAIL	1
SD2	BEARER TO ANCHOR PILE CONNECTION	1
SD3	BEARER TO ORDINARY PILE CONNECTION	1



ISOMETRIC VIEW

FOR CONSTRUCTION

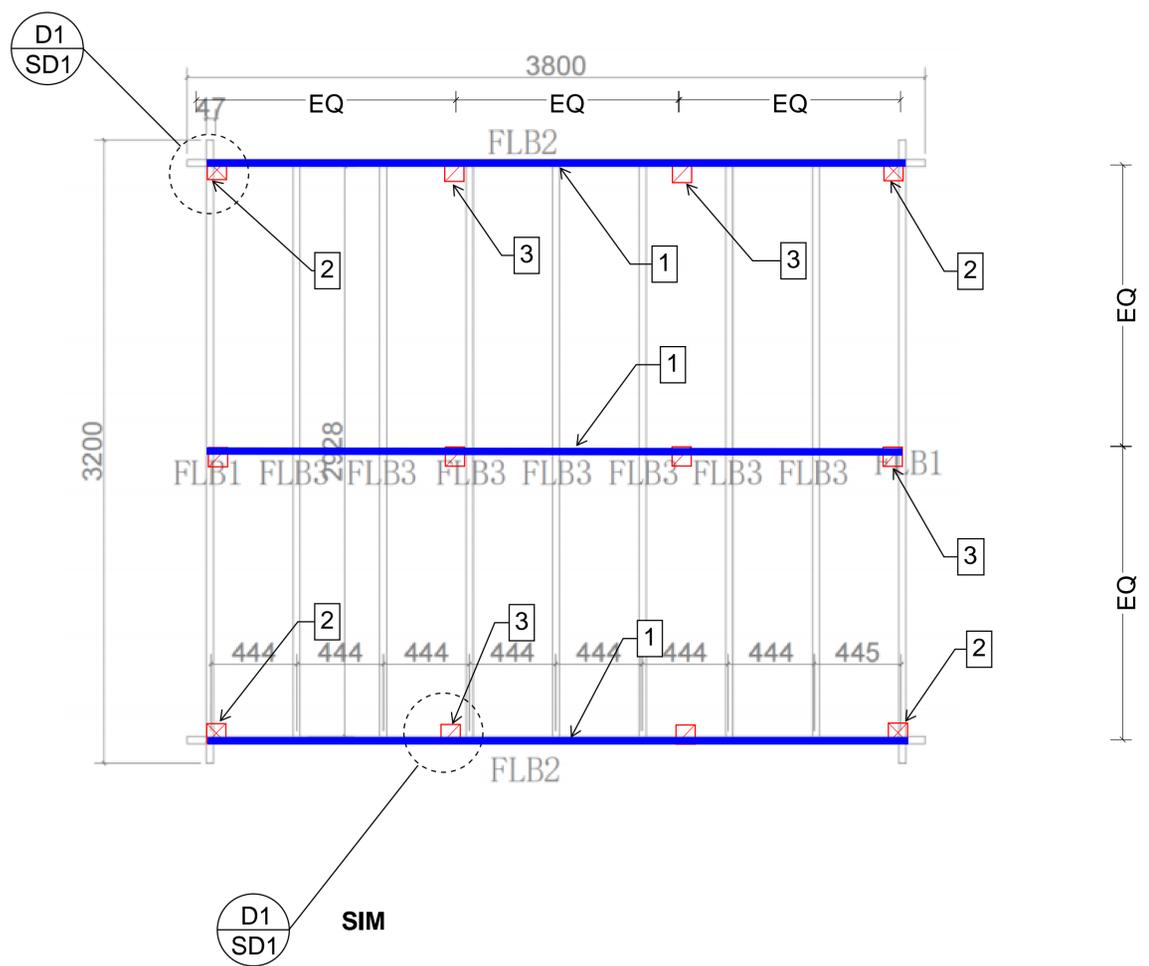


TD STRUCTURES LIMITED
CONSULTING ENGINEERS
8B CHARLOTTE ST, EDEN TERRACE
PO BOX 99812, NEWMARKET, AUCKLAND
PHONE: (09) 3072702
E-MAIL: engineer@tdstructures.co.nz

PROJECT REF: 21149

DESIGNED BY: AT

DRAWN BY: AT



SUBFLOOR LEGEND	
	1 - 140 x 90 TIMBER SG8 H3.2
	2 - 125 SQ H5 ANCHOR PILE
	3 - 125 SQ H5 ORDINARY PILE

SUBFLOOR PLAN
N.T.S

1	22-02-15	ISSUE FOR CONSTRUCTION
Rev	Date	Description

THE CONTRACTOR IS TO VERIFY ALL DIMENSIONS, ANGLES, SITE MEASUREMENTS & CONDITIONS, ETC BEFORE FABRICATION OR CONSTRUCTION BEGINS.
COPYRIGHT
COPYRIGHT OF THESE DRAWINGS REMAINS THE PROPERTY OF TD STRUCTURES

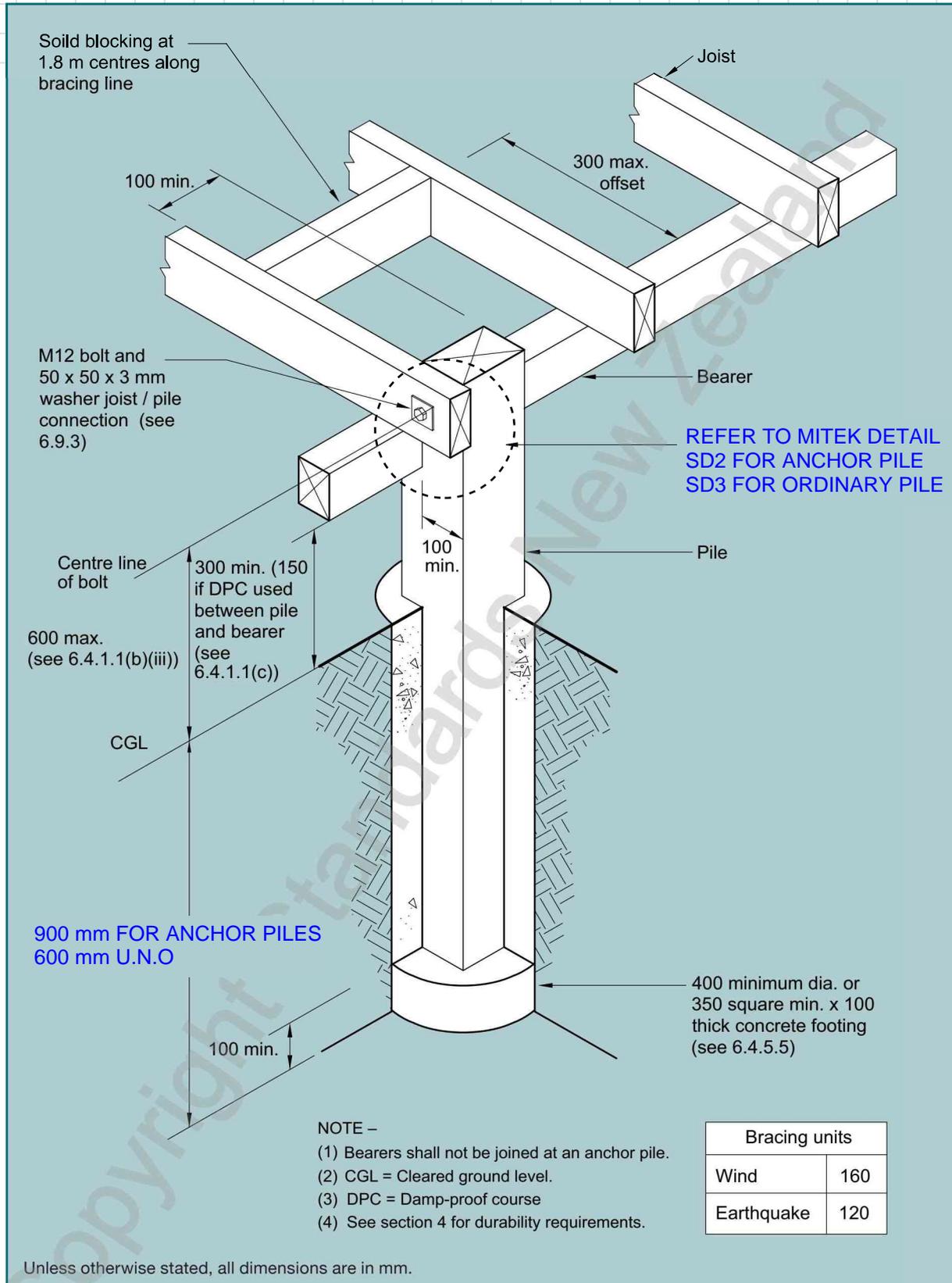
CLIENT
ANY TERRITORIAL AUTHORITY WITHIN NEW ZEALAND
FOR CONSTRUCTION

TD STRUCTURES LIMITED
CONSULTING ENGINEERS
88 CHARLOTTE ST, EDEN TERRACE
PO BOX 99812, NEWMARKET, AUCKLAND
PHONE: (09) 3072702
E-MAIL: engineer@tdstructures.co.nz

SUBFLOOR PLAN			
DESIGNED AT	DATE 22.02.15	A1 SCALE	A3 SCALE
DRAWN AT	CHECKED DL	N.T.S	N.T.S

**LIFESTYLE CABINS:
MEADOW CABIN**

JOB No 21149	
DWG No S01	REVISION 1



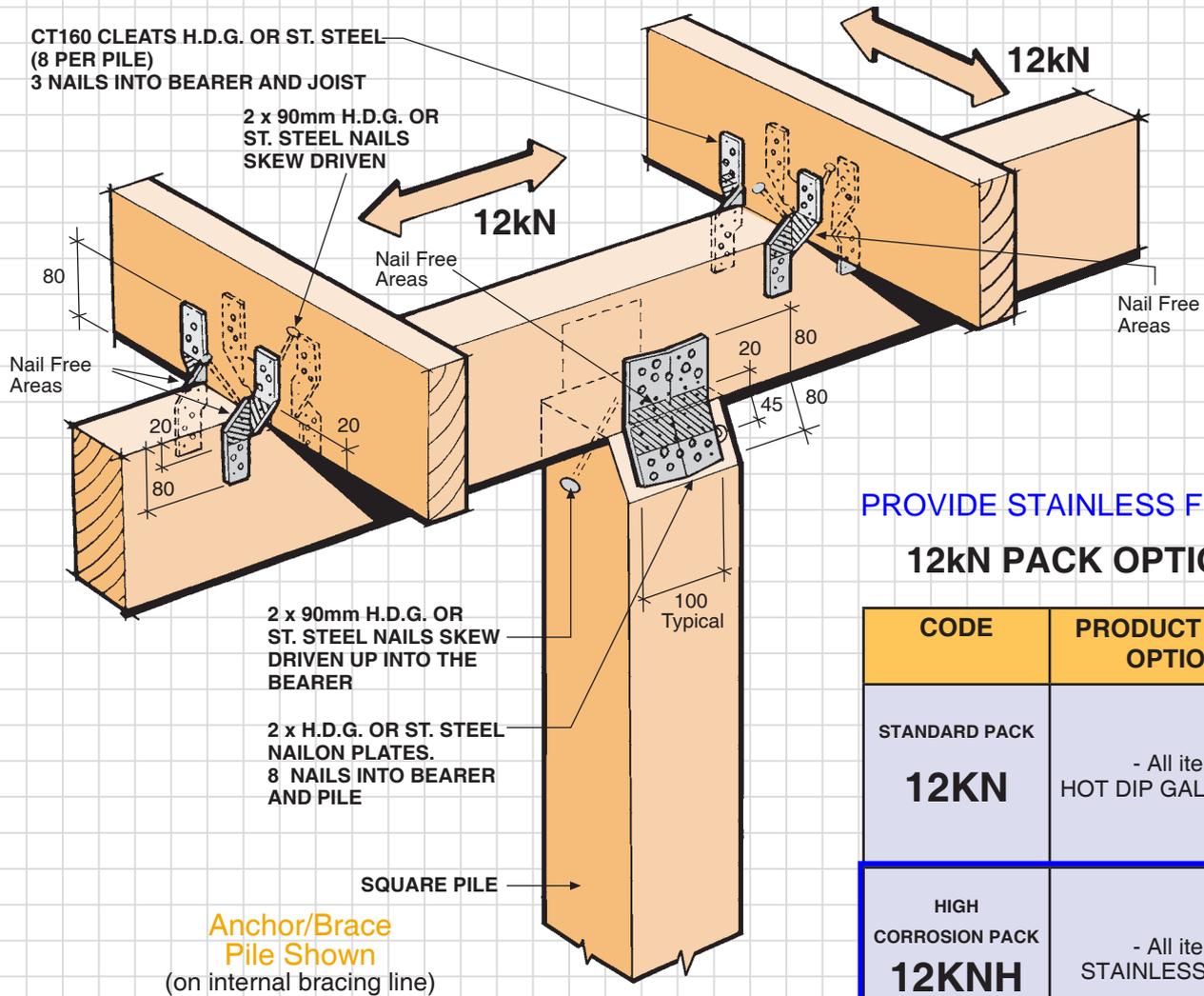
D1 - ANCHOR PILE & ORDINARY PILE DETAIL

NTS

DETAIL REFER TO PAGE 6-24
NZS3604:2011

12kN PILE FIXING FOR BRACED PILES OR ANCHOR PILES

- ★ The 12kN Pile Fixing must be installed in accordance with this brochure
- ★ Auckland University Tested. Test Ref. 4613
- ★ All subfloor construction must be in accordance with NZS 3604:2011
- ★ NZS 3604 requires lines of lateral support to floor joists within 300mm of bearer or bracing lines, refer to Clause 7.1.2
- ★ Joists deeper than 150mm require solid nogging over braced or anchor pile



PROVIDE STAINLESS FIXING 12kN PACK OPTIONS

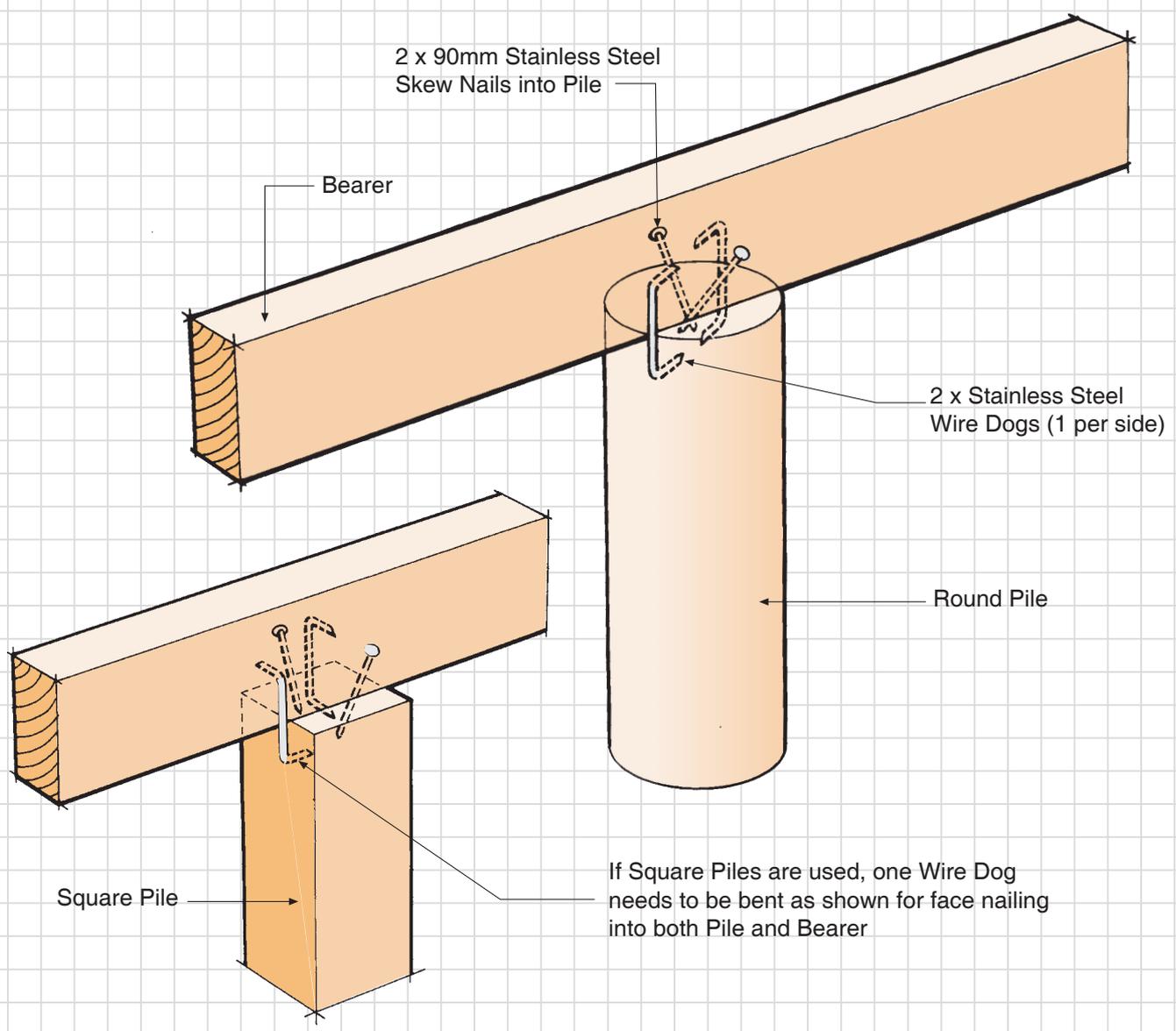
CODE	PRODUCT FINISH OPTIONS
STANDARD PACK 12KN	- All items HOT DIP GALVANISED
HIGH CORROSION PACK 12KNH	- All items STAINLESS STEEL

D1 - SUBFLOOR BEARER TO TIMBER PILE CONNECTION

NTS

ORDINARY PILE FIXING

- ★ Complies with NZS 3604:2011
- ★ All Fixings Stainless Steel
- ★ For all Ordinary Piles (Refer Figure 6.3 NZS 3604:2011)



Code: OPF
Packed: 20 x Stainless Steel Wire Dog Staples
 20 x Stainless Steel Nails 90mm x 4 dia.

D1 - BEARER TO ORDINARY PILE DETAIL
 NTS